

**PRODUCT:**

HIGH CRI CIE Standard Illuminant D65 Basic LED T8 Tube

**FEATURES:**

- CRI 97+
- 10,000 hrs life expectancy
- AC 90V-277V AC Power Supply included
- Electronic ballast compatible, direct drop-in
- Mercury free



**DESCRIPTION**

YUJI now release high quality CIE D65 (Daylight 6500K) LED T8 tubes which offer the high color rendering index (Ra 97+). These tubes could create an ideal viewing condition in compliant with CIE Standard Illuminant D65 (Daylight 6500K). Energy use will be saved by over 30%. These tubes could be used as standard light source for critical color viewing in textile, dye, paint, automobile, leather manufacturing as a favorable replacement of fluorescent lamps. These tubes could instantly provide high-definition color to any room, studio or display case. Also perfect fit for retail, museum, office and home lighting applications as well.



ELECTRICAL-OPTICAL CHARACTERISTICS (T <sub>c</sub> = 25 °C)							
PARAMETER	SYMBOL	VALUE			UNIT	TOLERANCE	CONDITION
		MIN.	TYP.	MAX.			
Rated voltage	AC	100	--	270	V	--	--
Rated power	P	--	11	--	W	±1	600mm
	P	--	20	--	W	±1	1200mm
	P	--	25	--	W	±1	1500mm
Power factor	--	0.9	--	--	--	--	--
Frequency	--	50	--	60	Hz	--	--
Luminous flux	Φ <sub>D65</sub>	--	550	--	lm	--	600mm
		--	1100	--	lm	--	1200mm
		--	1375	--	lm	--	1500mm
Color temperature	CCT <sub>D65</sub>	--	6500	--	K	--	--
Color rendering index	Ra*	95	97	--	--	±1	--
Ri (i=1-15)	Ri	--	90	--	--	--	--
Chromaticity coordinates	(u' <sub>10</sub> , v' <sub>10</sub> )	--	--	--	--	±0.004*	--
Viewing angle	2θ1/2	--	160	--	Deg	±5	--

\*Yuji Everfine standard equipment shall prevail



# YJT8VG01D65B

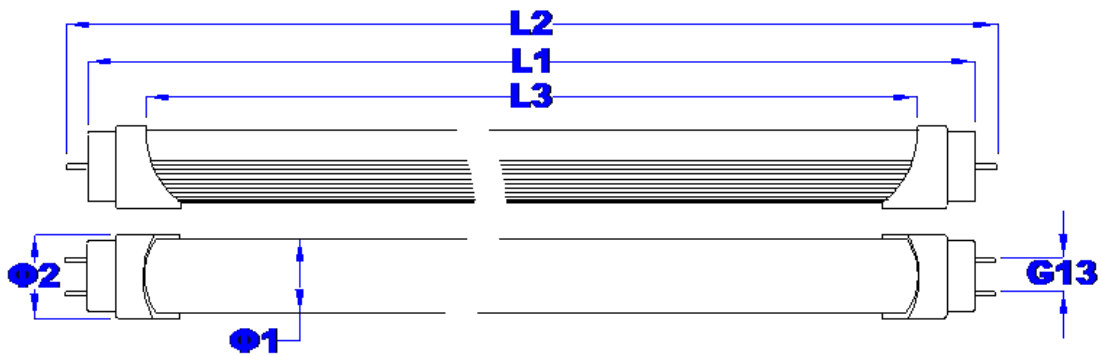
## D65 Basic Color Viewing Lamp

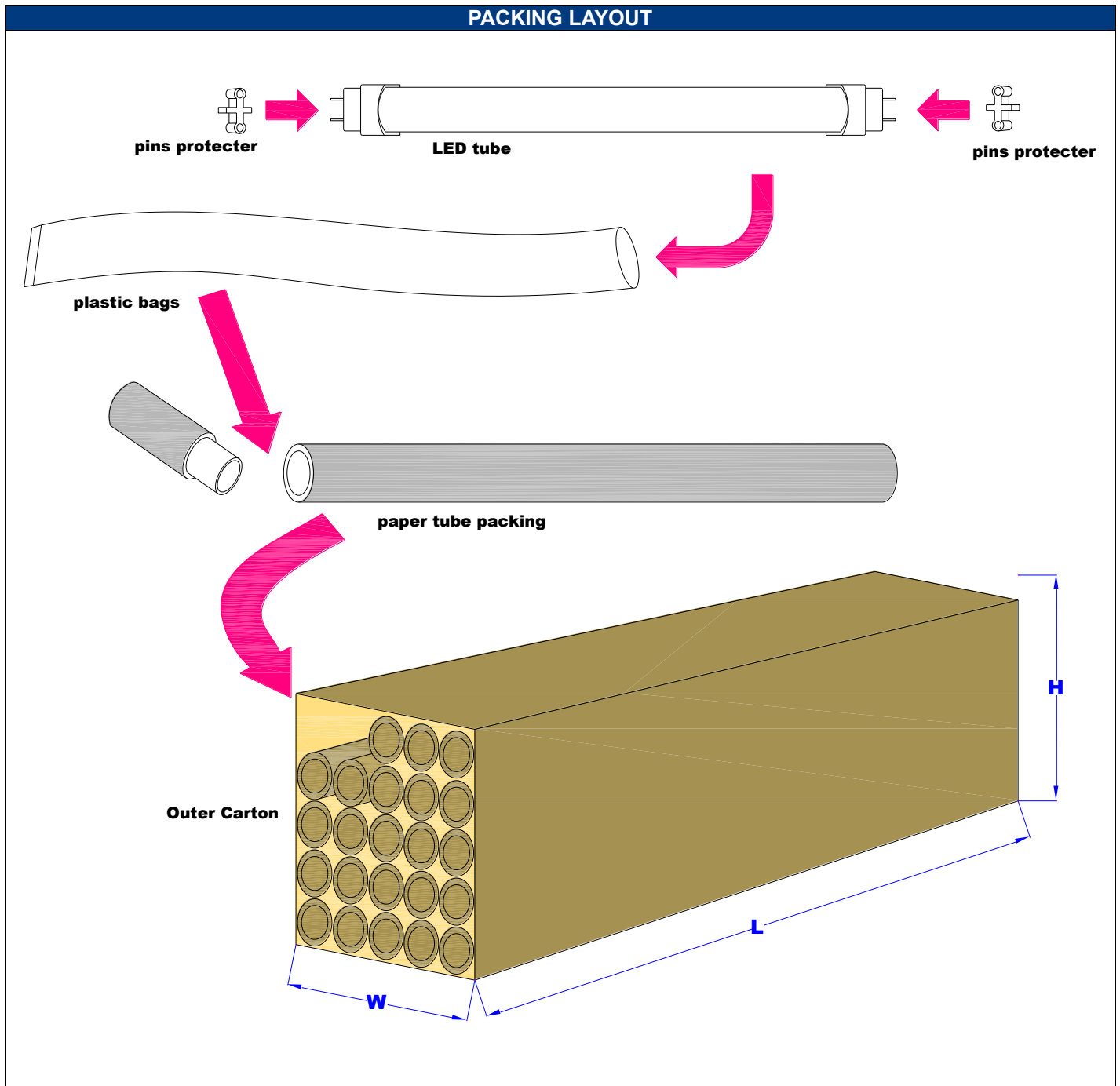
MECHANICAL SPECIFICATIONS			
PARAMETER	SYMBOL	Value	UNIT
Optics	--	Clear PC Cover	--
Mounting	Pin	G13	--
Protection Class	--	IP20	--
Operating Temperature	T <sub>opr</sub>	-20 ~ +45	°C
Storage Temperature	T <sub>stg</sub>	-20 ~ +45	°C

ORDERING INFORMATION		
PART NUMBER	CCT	LENGTH
YJT86011WVG01D65B	6500K	2FT / 60cm
YJT812020WVG01D65B	6500K	4FT / 120cm
YJT815025WVG01D65B	6500K	5FT / 150cm

CHROMATICITY BINS & COORDINATES		
CIE 1976 COORDINATES		
Center point	U' <sub>10</sub>	V' <sub>10</sub>
	0.1978	0.4684
Tolerance radius	0.004	
CIE 1931 COORDINATES		
Center point	X	Y
	0.3127	0.3290
Tolerance radius	--	

DIMENSION				
Symbol	Description	2FT / 60cm	4FT / 120cm	5FT / 150cm
$\Phi 1$	Oval tube (longitudinal diameter / transverse diameter)	28mm / 26mm	28mm / 26mm	28mm / 26mm
$\Phi 2$	Plug the widest diameter	30mm	30mm	30mm
L1	Tube length	588mm	1198mm	1498mm
L2	Needle length	604mm	1214mm	1514mm
Base size	Pin type	G13	G13	G13







**LOT NUMBERING SCHEME**

Yuji LED uses two formats for lot numbering purposes:

1) YYYY-MM-XXX-Z

YYYY: 4-digit manufacturing year

MM: 2-digit manufacturing month

XXX: 3-digit inventory number (000 – 999)

Z: internal alphanumeric code

2) YYYYMMXXX

YYYY: 4-digit manufacturing year

MM: 2-digit manufacturing month

XXX: 3-digit inventory number (000 – 999)